

TOCAT8-ZMPC2018 Yokohama

Sponsorship & Exhibition Prospectus

For Foreign Partner

Web: <http://tocat8zmpc2018.yokohama/>

E-mail: info@tocat8zmpc2018.yokohama

Period: Aug. 5 – Aug. 10, 2018
Venue: PACIFICO Yokohama

Contact:
Secretary: A. Muramatsu (Tohoku Univ.)
Vice-Secretary: T. Yokoi (Tokyo Tech.)

Jan. 16, 2018



Invitation & Scope



The 8th Tokyo Conference on Advanced Catalytic Science and Technology

Chair: K. Domen (Univ. Tokyo)



International Symposium on Zeolites and Microporous Crystals 2018

Chair: M. Matsukata (Waseda Univ.)

"TOCAT8-ZMPC2018 Yokohama" (The 8th Tokyo Conference on Advanced Catalytic Science and Technology and International Symposium on Zeolite and Microporous Crystals 2018) is an international congress focusing on the novel functional materials, such as zeolites, ceramics, metals, complexes, their related ones, etc., and their application for various industrial fields. These materials are indispensable to the establishment of sustainable society in the world. On the other hand, academia has paid the attention on the substantial solution for these problems through actively academic and engineering exchanges between scientists, engineers, and researchers on an international meeting. In this regard, we decide to hold the international conference on catalysis of zeolites and the other materials based on scientific and engineering aspects in Tokyo and its outskirts.

Hence, "TOCAT8-ZMPC2018 Yokohama" will be held in Yokohama on August 5 to 10, 2018. "TOCAT8-ZMPC2018 Yokohama" will start from a plenary lecture on Sunday. We also will provide parallel sessions on many scientific and engineering divisions.

On behalf of the organizing committee of TOCAT8 and ZMPC2018, we are happy to announce and cordially invite your organization to join TOCAT8 and ZMPC2018 that will take place in Yokohama, Japan, August 5-10, 2018.

Sponsorship Packages Overview

	Platinum 2,000,000 JPY	Gold 1,000,000 JPY	Silver 500,000 JPY	Bronze 200,000 JPY	Regular 100,000 JPY	Personal _____JPY
Exclusive conference endorsement of Sponsor in all sessions	✓	✓	✓	✓	✓	
Exhibition booth	Two booths	One booth				
Program book advertisement	Full page	Full page	Half Page	Quarter Page		
Abstracts USB advertisement	✓	✓	✓	✓	✓	
Company logo on the website with a link back to sponsor's website	Large size	Large size	Medium size	Small size	Small size	Small size
Tickets to Welcome Reception	8	4	2	2	1	
Complimentary registrations*	8	4	2	2	1	
Tickets to Banquets**	8	4	2			
Flyer insert (in the conference bag)	✓	✓	✓	✓		

*Registrations: one registration ticket is valid for TOCAT8 or ZMPC2018.

**Banquets: one Banquet ticket is valid for TOCAT8 or ZMPC2018.

Sponsorship by Luncheon Seminar

Luncheon Seminar (Aug. 6, 7, and 8)

200,000 JPY / one Luncheon Seminar including Lunch box, Maximum 100 persons

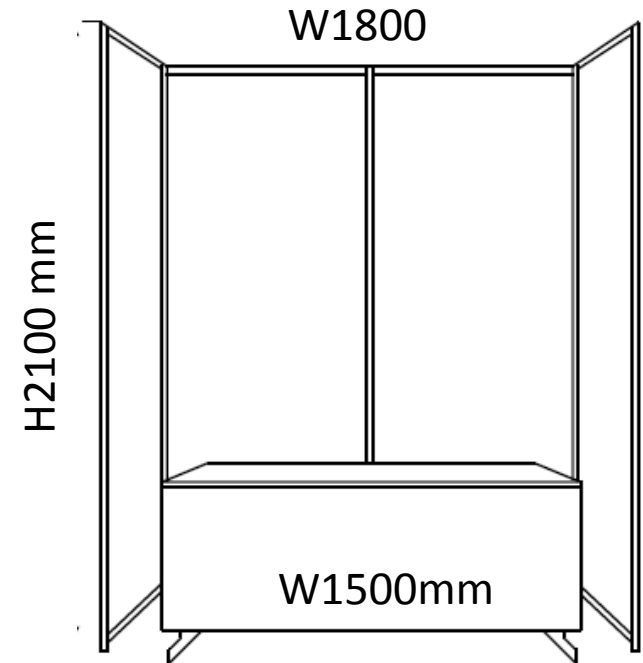
Exhibition

Both TOCAT8 and ZMPC2018 conference delegates (more than 1,500 participants) can access to the exhibition area, which is co-located with coffee breaks offering direct networking opportunity with conference delegates.

One booth: **200,000 JPY** including

- ✓ One Table (W1500 mm × D600 mm × H700 mm),
- ✓ Two panels (W1800 mm × H2100 mm), etc.
- ✓ Welcome reception tickets
- ✓ Two complimentary registration tickets*.

*one registration is valid for TOCAT8 or ZMPC2018.



Exhibition



- 6F**
Cafeteria
- 5F**
Meeting Room
**ZMPC: Plenary lecturer
Oral and Poster presentations**
- 4F**
Small Meeting Room
TOCAT: Poster presentation
- 3F**
Meeting Room
TOCAT: Oral presentation
- 2F**
Small Meeting Room
Tearoom
Registration for TOCAT & ZMPC
- 1F**
Main Hall • First Aid Room •
Business Center
TOCAT: Plenary lecturer
- B1F**
Main Hall Stage •
Security Office •
Loading Dock

Exhibition

Both TOCAT8 and ZMPC2018 conference delegates (more than 1,500 participants) can access to the exhibition area, which is co-located with coffee breaks.



Deadline

Application forms should be sent by May 31, 2018.

Payment details

Payment details will be notified later.

Cancellation Policy

Cancellation and changes to your orders must be made in writing to the Conference Secretariat. Refundable amounts and penalties depend on the date of cancellation and are as follows:

- Before April 30, 2018: 100% refunded
- After June 1, 2018: no refund



TOCAT8-ZMPC2018 Yokohama will feature exciting and stimulating talks and discussions on the cutting edge developments in advanced catalytic science and technology, and zeolites and microporous crystals



Chair for TOCAT8
K. Domen (Univ. Tokyo)



Chair for ZMPC2018
M. Matsukata (Waseda Univ.)

We look forward to welcoming you to Yokohama –Japan's first port of call.



Sponsorship & Exhibition Application Form:

Date:
Name of the company:
Postal address:
Invoice address (if different from above):
Name of the contact person:
Phone: _____ Fax: _____ E-mail: _____ @ _____

Sponsorship categories

- Platinum Package: 2,000,000 JPY
- Gold Package: 1,000,000 JPY
- Silver Package: 500,000 JPY
- Bronze Package: 200,000 JPY
- Regular Package: 100,000 JPY
- Personal: _____ JPY
- Luncheon Seminar (Aug. 6) 200,000 JPY
- Luncheon Seminar (Aug. 7) 200,000 JPY
- Luncheon Seminar (Aug. 8) 200,000 JPY

Exhibition

- One booth: 200,000 JPY
- Two booths 400,000 JPY
- Three booths: 600,000 JPY
- Four booths: 800,000 JPY

Note:

Application forms should be sent to:
Secretary: A. Muramatsu (Tohoku Univ.)
Vice-Secretary: T. Yokoi (Tokyo Tech.)
via E-mail: info@tocat8zmpc2018.yokohama

